



Sovitron Interior Pvt.Ltd.



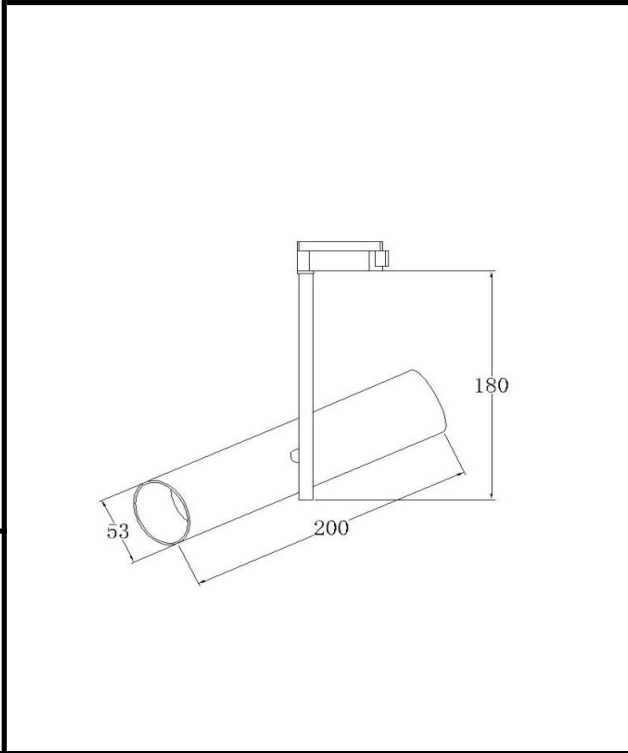
| | |
|--------------------|------------------------------------|
| Model Name | Conoline Tracklight /DLTTCONDLSL-7 |
| Description | Tracklight |

| Technical description | Image |
|-----------------------|-------|
|-----------------------|-------|

| | |
|----------------------------|--|
| Dimension | Dia=53mm H=200mm |
| Frame | Aluminium Die-cast |
| Color Tempertaure | 4000K |
| Power | 7W |
| Total Luminous Flux | 595 lm |
| Efficacy | 85 lm/W |
| IP rating | 50 |
| Color Rendering | ≥80 |
| Beam angle | 18°/24°/36° |
| Mounting | Track mounted |
| Diffuser/Lens | Lens |
| Dimming | NON-Dimmable |
| Operating Voltage | 220-240 VAC |
| Standard Lifetime | L70 minimum at 50,000 burning hours |



Dimension diagram



Remarks:-

Address: Plot #7 Saroorpur-Nangla Industrial Area,Ballabgarh-Sohna Road,Faridabad-121005
Email: info@sovitron.com