



Sovitron Interior Pvt.Ltd.



**Model Name**

VIRAJ 70 Lens + Diffuser/ DLTLV70DSI-28

**Description**

Direct Linear

**Technical description**

**Image**

**Dimension**

L=1200mm  
W=76mm  
H=80mm

**Frame**

Aluminium

**Color Tempertaure**

4000K

**Power**

28W

**Total Luminous Flux**

2520 lm

**Efficacy**

90 lm/W

**IP rating**

50

**Color Rendering**

≥80

**Mounting**

Surface

**Diffuser/Lens**

Lens + Diffuser

**Dimming**

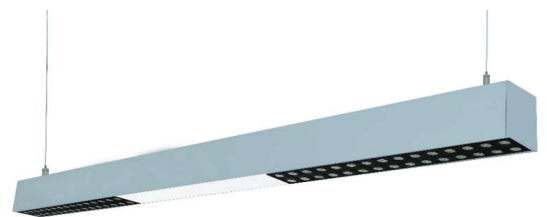
NON-Dimmable

**Operating Voltage**

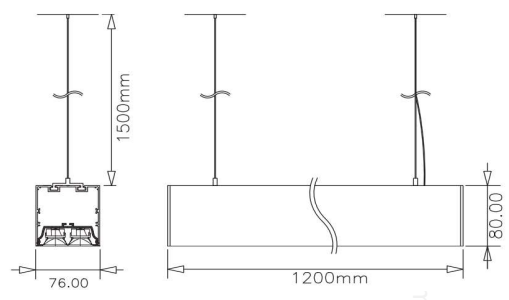
220-240 VAC

**Standard Lifetime**

L70 minimum at 50,000  
burning hours



**Dimension diagram**



**Remarks:-**

Address: Plot #7 Saroorpur-Nangla Industrial Area,Ballabgarh-Sohna Road,Faridabad-121005

Email: [info@sovitron.com](mailto:info@sovitron.com)