



Sovitron Interior Pvt.Ltd.



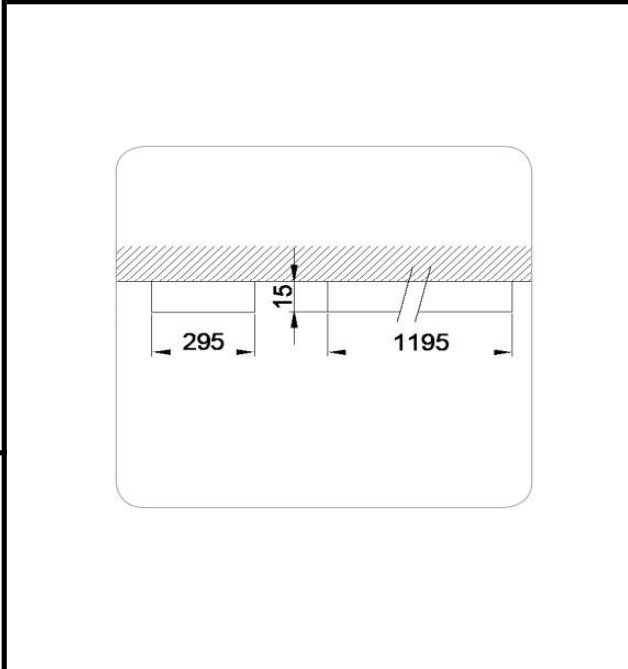
| | |
|--------------------|-----------------------------------|
| Model Name | GENISO 4X1 Edgelit /DLTP4X1DSE-35 |
| Description | Panel light |

| Technical description | Image |
|-----------------------|-------|
|-----------------------|-------|

| | |
|----------------------------|--|
| Dimension | L=1195mm W=295mm, H=15mm |
| Frame | Aluminium |
| Color Tempertaure | 5700K |
| Power | 35W |
| Total Luminous Flux | 2800 lm |
| Efficacy | 80 lm/W |
| IP rating | 50 |
| Color Rendering | ≥80 |
| Mounting | Surface |
| Diffuser/Lens | LGP |
| Dimming | NON-Dimmable |
| Operating Voltage | 220-240 VAC |
| Standard Lifetime | L70 minimum at 50,000 burning hours |



| Dimension diagram |
|-------------------|
|-------------------|



Remarks:-

Address: Plot #7 Saroorpur-Nangla Industrial Area,Ballabgarh-Sohna Road,Faridabad-121005
Email: info@sovitron.com