



Sovitron Interior Pvt.Ltd.



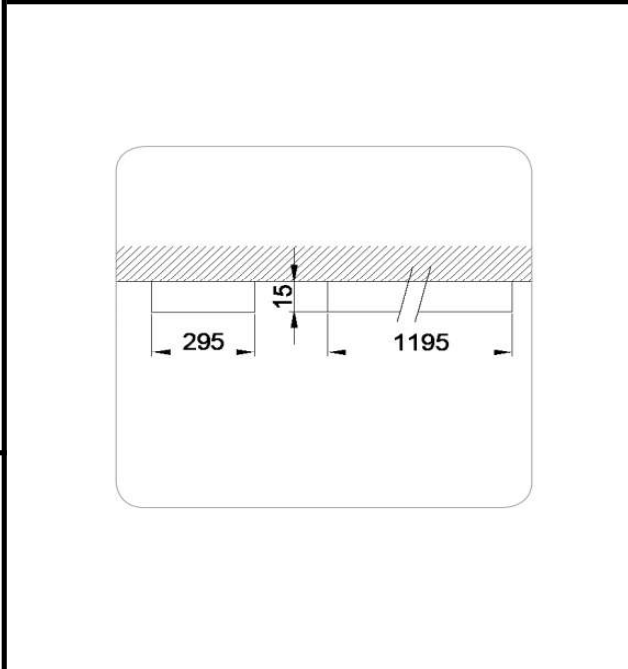
|                    |                                   |
|--------------------|-----------------------------------|
| <b>Model Name</b>  | GENISO 4X1 Edgelit /DLTP4X1DSE-25 |
| <b>Description</b> | Panel light                       |

| Technical description | Image |
|-----------------------|-------|
|-----------------------|-------|

|                            |  |
|----------------------------|--|
| <b>Dimension</b>           | L=1195mm W=295mm,<br>H=15mm            |
| <b>Frame</b>               | Aluminium                              |
| <b>Color Tempertaure</b>   | 3000K                                  |
| <b>Power</b>               | 25W                                    |
| <b>Total Luminous Flux</b> | 2000 lm                                |
| <b>Efficacy</b>            | 80 lm/W                                |
| <b>IP rating</b>           | 50                                     |
| <b>Color Rendering</b>     | ≥80                                    |
| <b>Mounting</b>            | Surface                                |
| <b>Diffuser/Lens</b>       | LGP                                    |
| <b>Dimming</b>             | NON-Dimmable                           |
| <b>Operating Voltage</b>   | 220-240 VAC                            |
| <b>Standard Lifetime</b>   | L70 minimum at 50,000<br>burning hours |



| Dimension diagram |
|-------------------|
|-------------------|



**Remarks:-**

Address: Plot #7 Saroorpur-Nangla Industrial Area,Ballabgarh-Sohna Road,Faridabad-121005  
Email: info@sovitron.com