



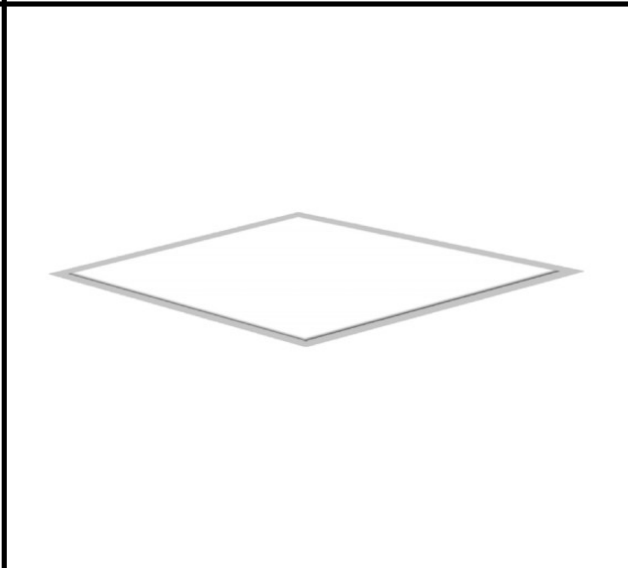
Sovitron Interior Pvt.Ltd.



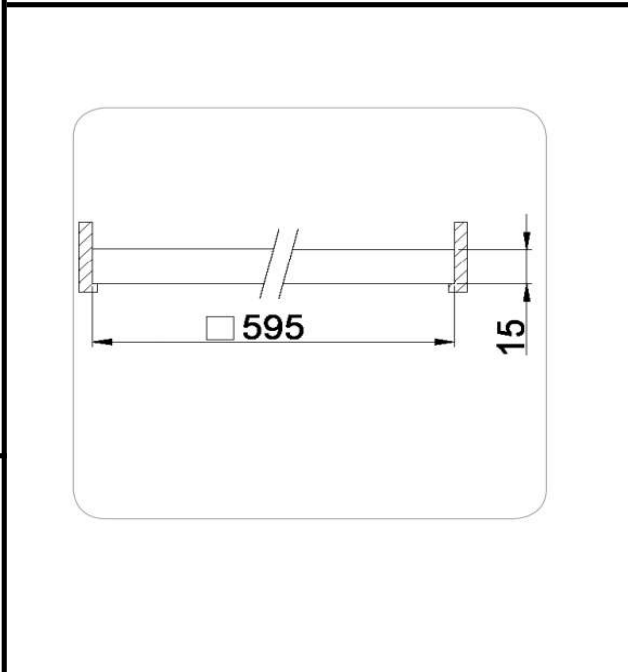
Model Name	Geniso 2X2 Edgelit /DLTP2X2DRE-25
Description	Panel light

Technical description	Image
-----------------------	-------

Dimension	L=595mm W=595mm, H=15mm
Frame	Aluminium
Color Tempertaure	3000K
Power	25W
Total Luminous Flux	2250 lm
Efficacy	90 lm/W
IP rating	50
Color Rendering	≥80
Mounting	Recessed
Diffuser/Lens	PMMA Diffuser
Dimming	NON-Dimmable
Operating Voltage	220-240 VAC
Standard Lifetime	L70 minimum at 50,000 burning hours



Dimension diagram



Remarks:-

Address: Plot #7 Saroorpur-Nangla Industrial Area,Ballabgarh-Sohna Road,Faridabad-121005
Email: info@sovitron.com