



Sovitron Interior Pvt.Ltd.



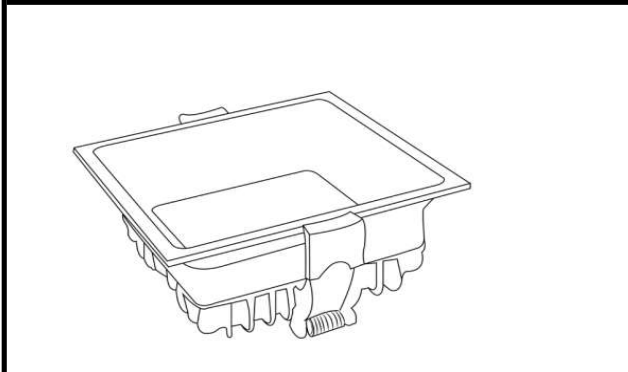
Model Name	Amigo Square /DLT0AMSDRD-12
Description	Downlighter

Technical description	Image
-----------------------	-------

Dimension	Cutout LXW=100mmX100mm Outer LXW=110mmx110mm H=49mm
Frame	Aluminium die-cast
Color Tempertaure	5700K
Power	12W
Total Luminous Flux	1020 lm
Efficacy	85 lm/W
IP rating	20
Color Rendering	≥80
Mounting	Recessed
Diffuser/Lens	Opal Diffuser
Dimming	NON-Dimmable
Operating Voltage	220-240 VAC
Standard Lifetime	L70 minimum at 50,000 burning hours



Dimension diagram



Size(W*L*H)
110mm*110mm*49mm
Cutout -100mm

Remarks:-

Address: Plot #7 Saroorpur-Nangla Industrial Area,Ballabgarh-Sohna Road,Faridabad-121005
Email: info@sovitron.com